



Inquiry #1

Determine the appropriate tools and techniques to collect data.

METER Stick



- **Length** is the distance from one point to another.
- **Length** is measured to the nearest **meter**.
- A **meter stick** or **metric ruler** is used to measure **length**.

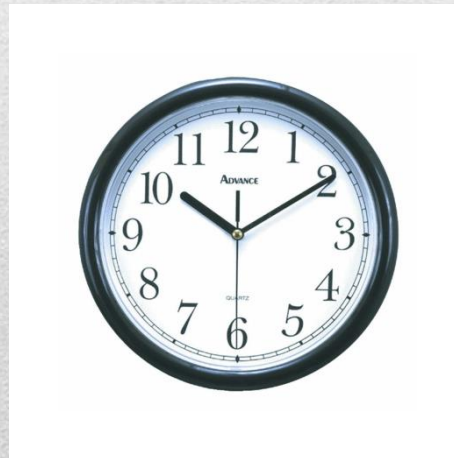
Length

- **Temperature** is the degree or intensity of heat present in a substance or object
- **Temperature** is measured with a **thermometer**.
- In science we measure temperature to the nearest degree **Celsius** to represent temperature.



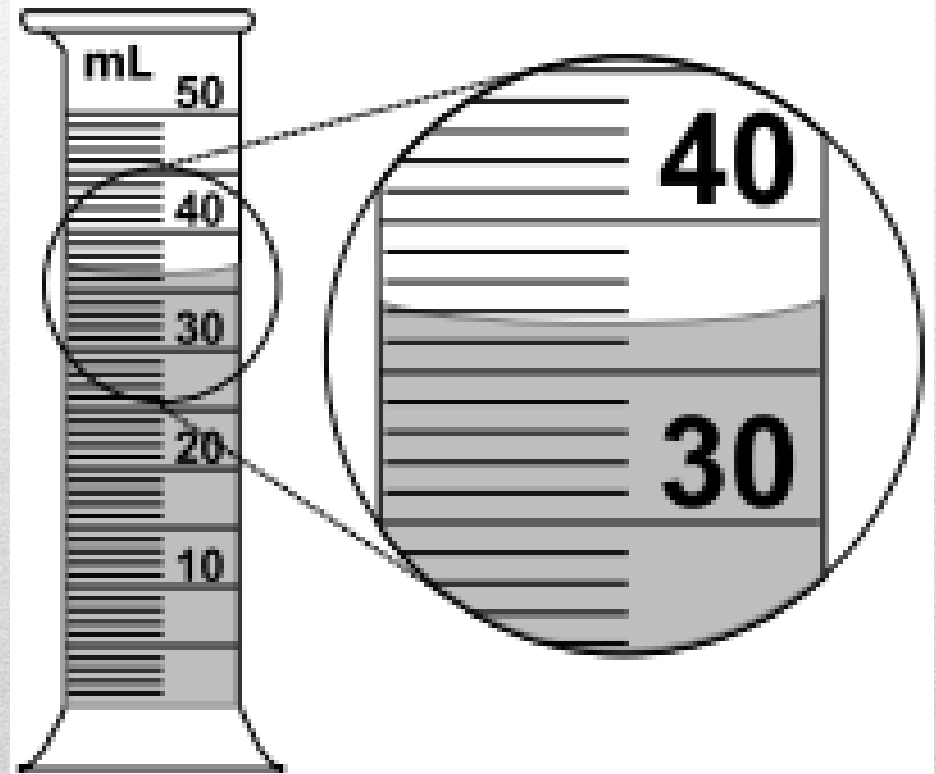
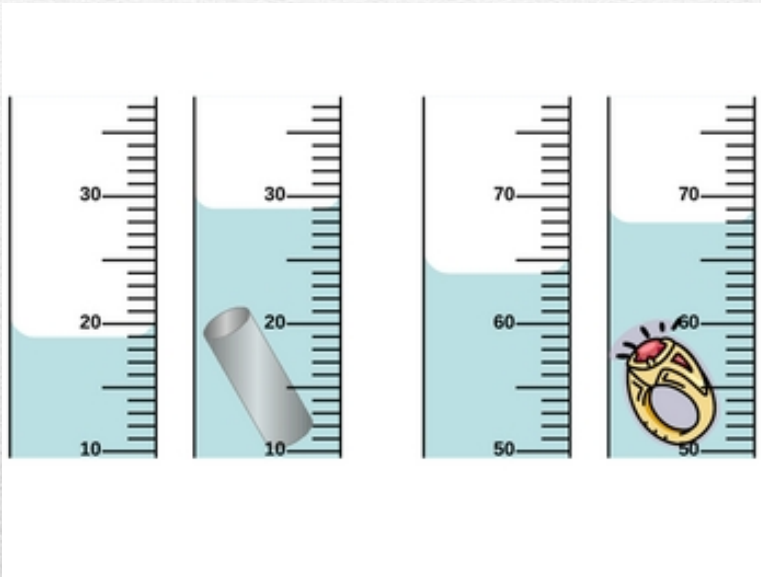
Temperature

- **Time** is the measure of how long something takes
- **Time** can be measured with a watch, clock, stop watch, timer, etc.
- In science we measure **time** to the nearest **second**.



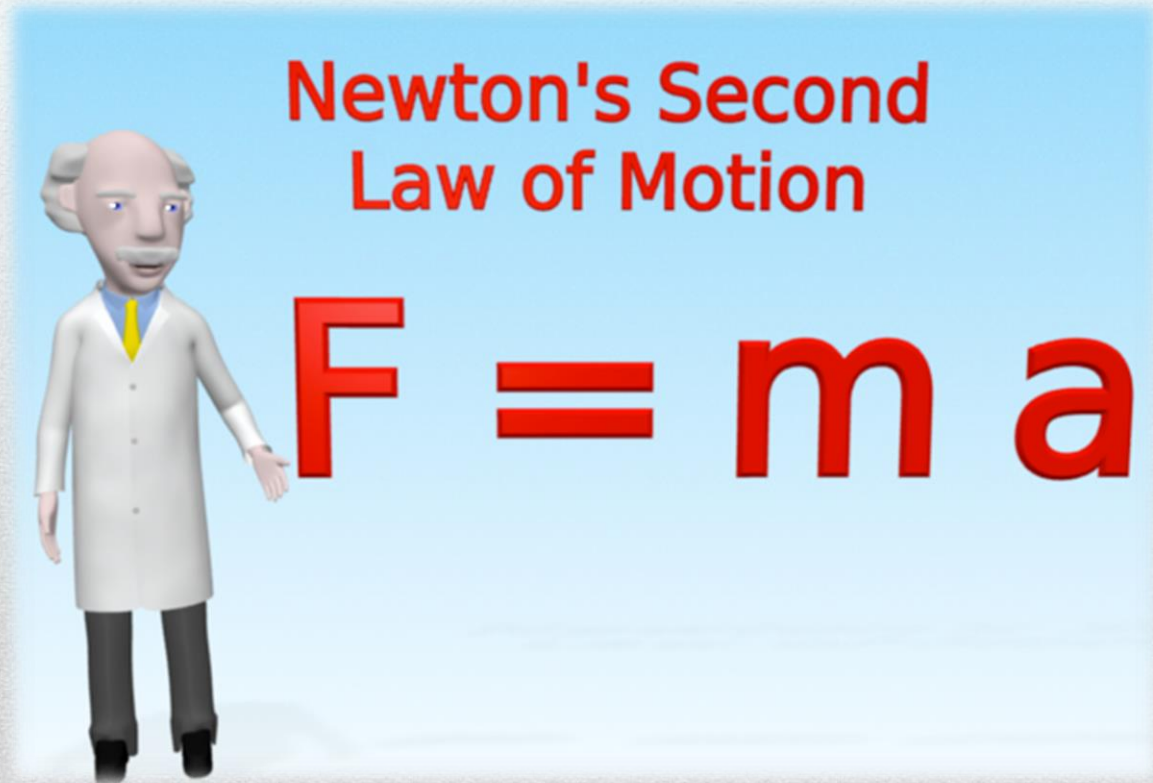
Time

- **Volume** is the amount of space that a substance or object occupies.
- **Volume** is measured to the nearest **liter**.
- **Volume** is measured using a **graduated cylinder**.

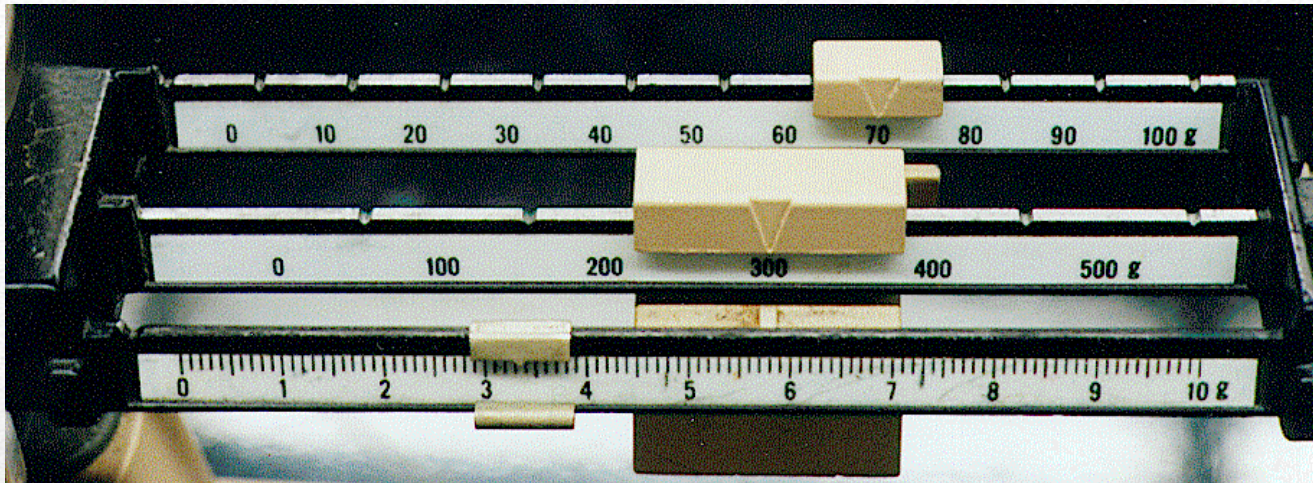


Volume

- **Force** is a push or a pull.
- **Force** is measured to the nearest **Newton**.
- A **spring scale** is used to measure a **Newton**.



Force



- The **mass** of an object is a measure of how much matter is in an object.
- **Mass** is measured to the nearest **gram**.
- **Mass** is measured using a **triple beam balance**.



Mass
